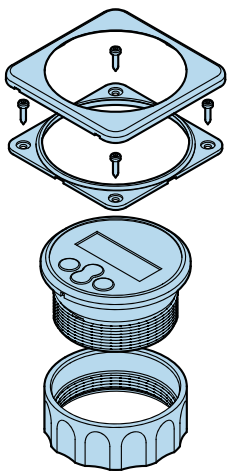


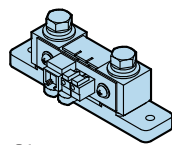
battery monitor BMV-602



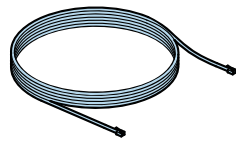
Included



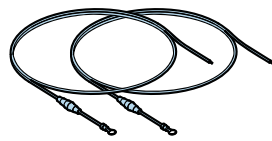
Battery monitor



Shunt



UTP cable



Pos. supply cable (x2)

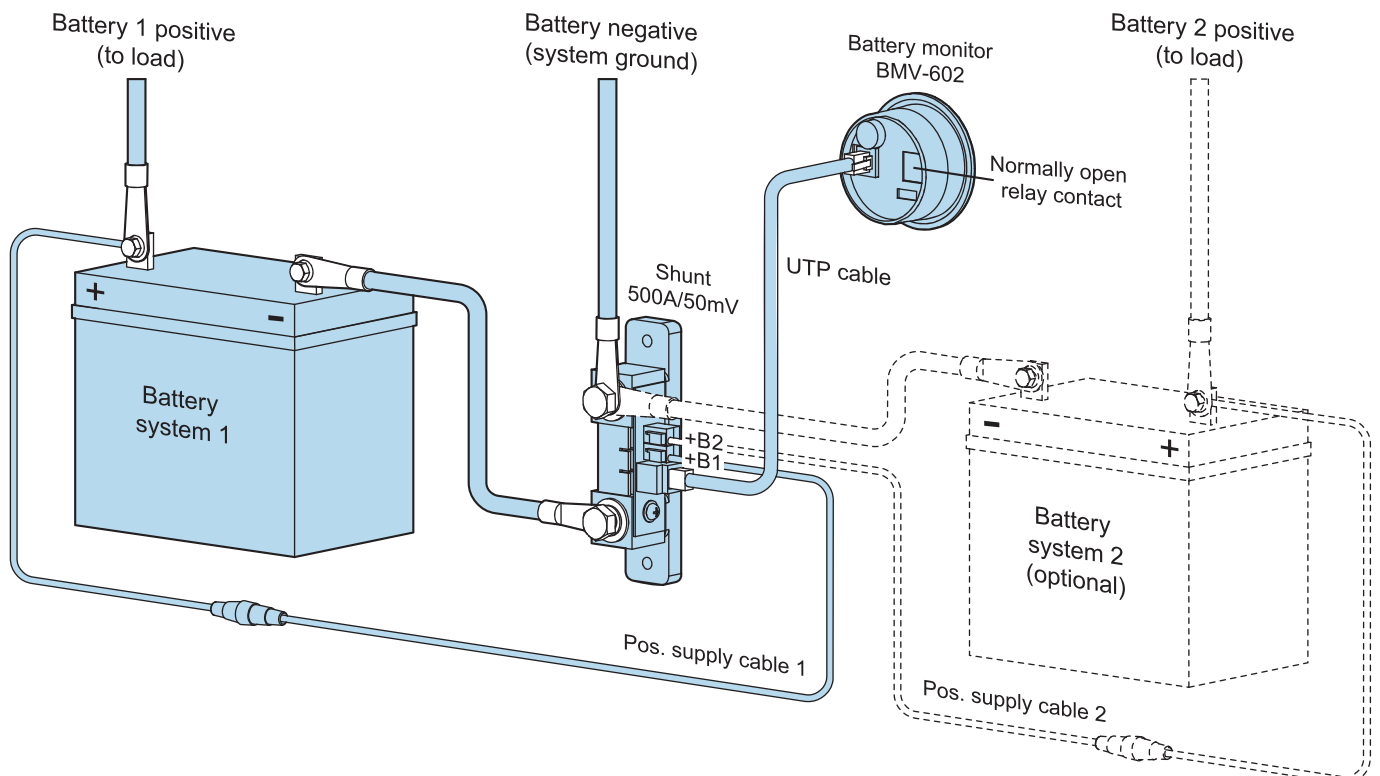
WARNING

Please read this guide carefully to avoid wrong connections that cause battery monitor malfunction and/or fire hazards

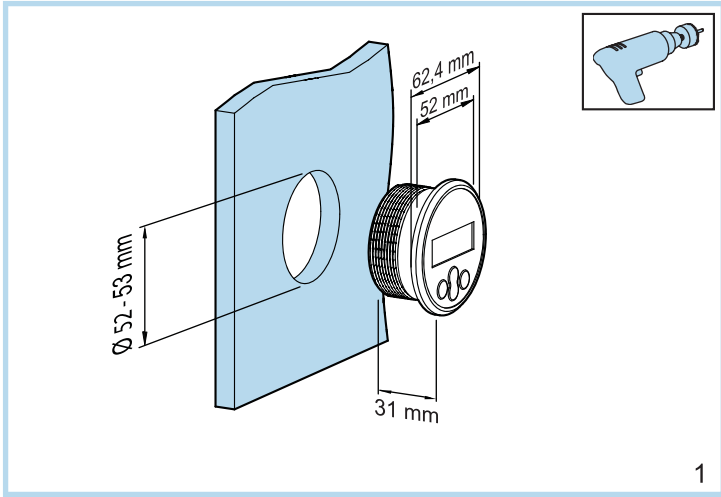
Disconnect the negative pole of the battery before installation!



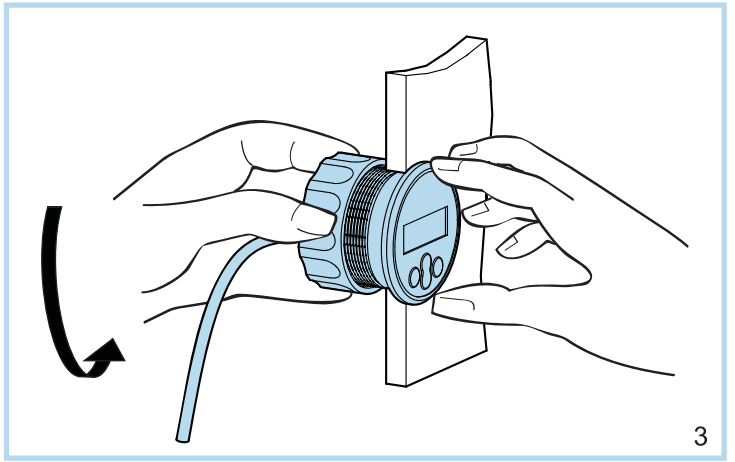
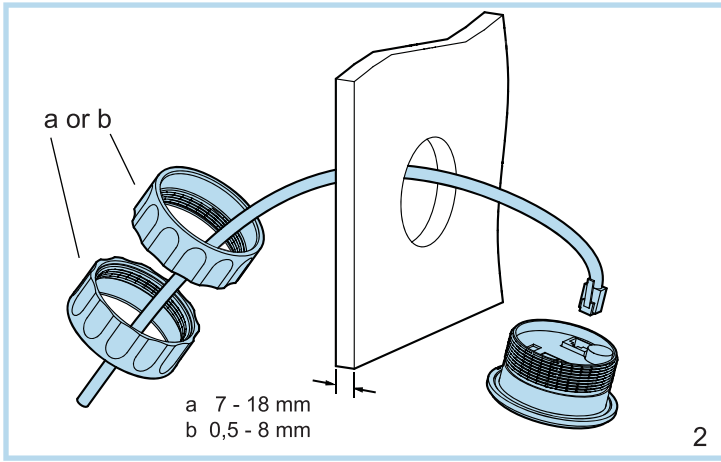
Wiring diagram



Connect the negative pole of the battery last !



Method A



OR
Method B

